

Wall Mount Type Ventilating Fan

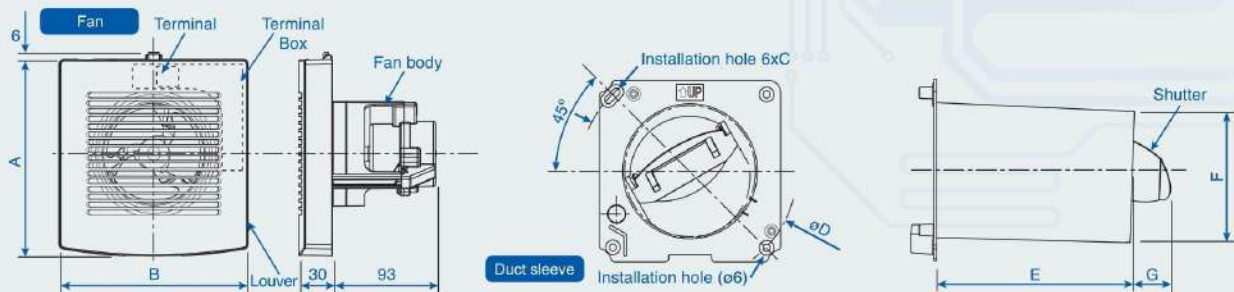


FV-10EGS1 / FV-15EGS1 Bathroom Series

- Shutter Series (for Vertical Shaft)
- Powerful exhaust of moisture and smell
- Compact and stylish design
- Back draft shutter
- All accessories are included for installation convenience
- Easy installation

Dimension

Unit : mm



Specification

Model No.	Color	Voltage specification	Consumption (W)	R.P.M [min]	Air Volume (m ³ /h)	Noise (dBA)	Weight (kg)
FV-10EGS1	White	230V 50Hz	5.9	2720	75	35	0.9
FV-15EGS1	White		6.6	2369	155	37	1.1

Dimension

Model	A	B	C	D	E	F	G	Installation Dia.
FV-10EGS1	176	170	9.3	177	160	115	40	125
FV-15EGS1	230	230	11.3	230	160	160	80	170

Note: The values in Specification tables are representative characteristic values at 220V, 50/60Hz. R.P.M. data is for reference only, values may vary subject to different conditions. This specifications are specified with duct sleeves, duct spinner and pipe hood.

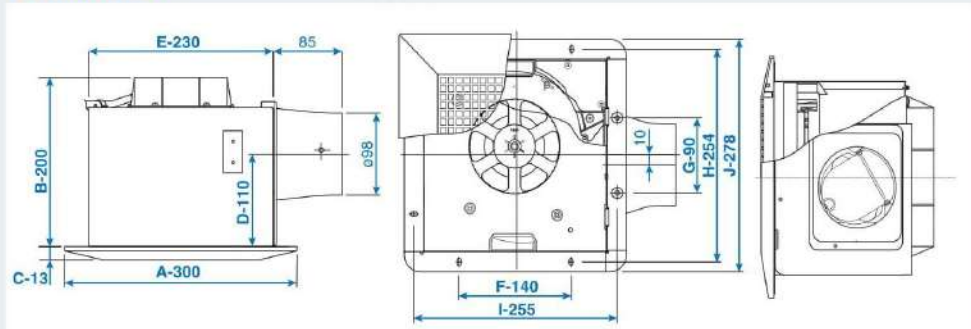
FV-24CU7

Super Quiet Series

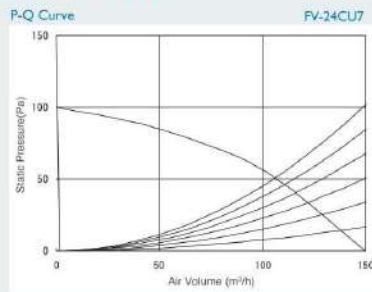


- Condenser motor with thermal cut-off
- Well lubricated bearing for long life operation
- Pre-installed power cord
- Resonance-Noise-Absorption Structure
- High performance tapered blade designed sirocco fan

Dimension



Performance Data



Specification

Model No.	Color	Voltage specification	Consumption (W)	R.P.M [min]	Air Volume (m3/h)	Noise (dBA)	Weight (kg)
FV-24CU7	White	230V 50Hz	15	720	150	30	2.9

Dimension

Model	A	B	C	D	E	F	G	H	I	J	Installation Dia.	Duct Dia.
FV-24CU7	300	200	13	110	230	140	90	254	255	278	240	100

Ceiling Mount Type Ventilating Fan

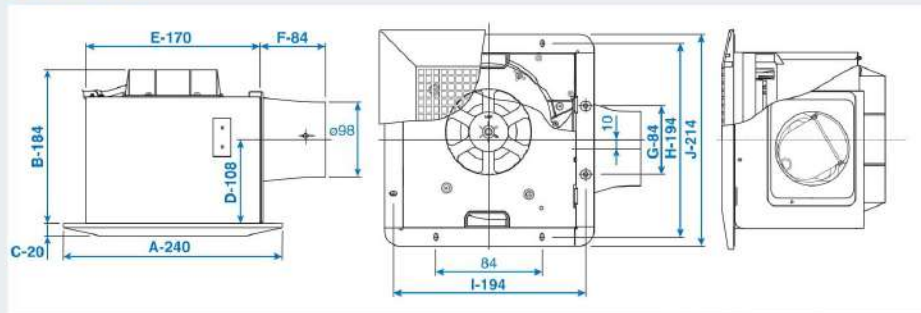
FV-17CU7

Super Quiet Series

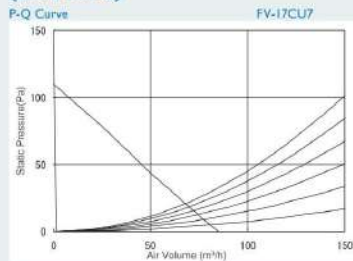


- Condenser motor with thermal cut-off
- Well lubricated bearing for long life operation
- Pre-installed power cord
- Resonance-Noise-Absorption Structure
- High performance tapered blade designed sirocco fan

Dimension



Performance Data (230V 50Hz)



Specification

Model No.	Color	Voltage specification	Consumption (W)	R.P.M [min]	Air Volume (m3/h)	Noise (dBA)	Weight (kg)
FV-17CU7	White	230V 50Hz	12	815	85	28	1.9

Dimension

Model	A	B	C	D	E	F	G	H	I	J	Installation Dia.	Duct Dia.
FV-17CU7	240	184	20	108	170	84	84	194	194	214	180	180